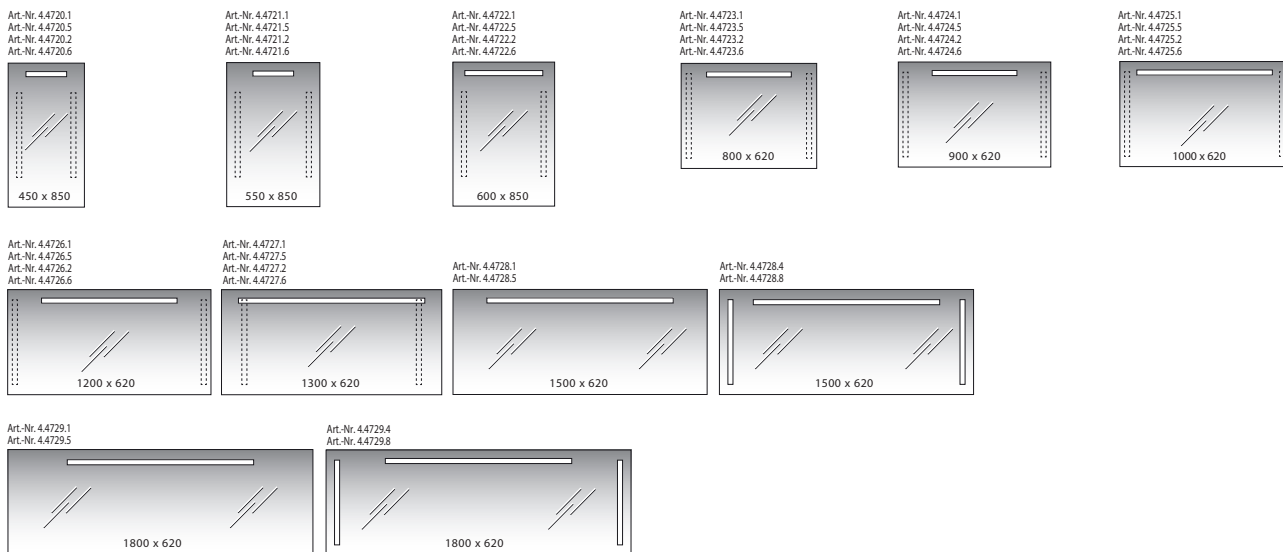


LAUFEN

CASE



Garantie/Haftung nur bei Montage gemäss Anleitung.
 Responsabilité/garantie à condition d'observer les instructions de montage.
 Garanzia valida solo se si rispettano le istruzioni di montaggio
 The warranty/liability only applies when installation is effected as per the instructions.
 La garantía solamente será válida si se siguen las instrucciones de instalación.
 Garantie/aansprakelijkheid uitsluitend van kracht indien volgens de instructies is geïnstalleerd.
 Záruka a ručení za vady jsou poskytovány za podmínky, že montáž je provedena v souladu s tímto návodem.
 Garantija taikoma tik tuo atveju, kai montavimas yra atliktas tiksliai pagal instrukciją.
 Gwarancja obejmuje wyrób wówczas gdy montaż zostaje przeprowadzony zgodnie z instrukcją.
 Szavatosság/jótállás csak az útmutató szerinti szerelés esetén.
 Мы предоставляем гарантию и несем ответственность, только если монтаж произведен в соответствии с инструкцией по монтажу.
 Гаранцията/отговорността е валидна само когато монтажът е изпълнен както е указано в инструкцията.

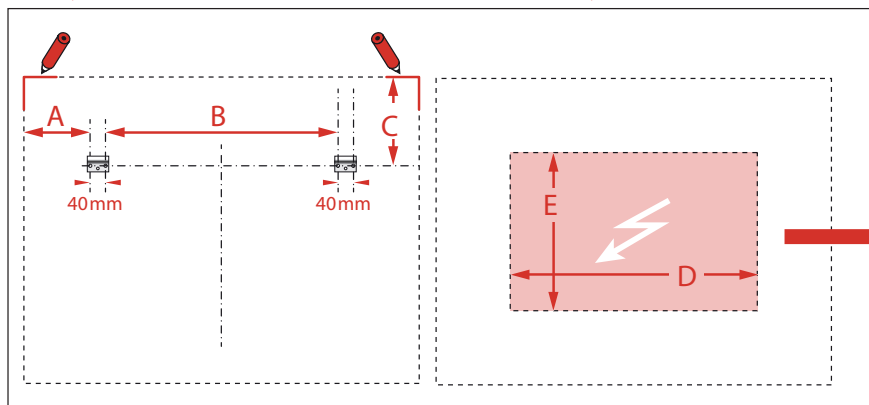


- DE** Arbeiten an den elektrischen Anlagen dürfen nur von autorisierten Fachleuten nach den örtlichen Vorschriften ausgeführt werden.
- FR** Seul un personnel qualifié agréé est autorisé à effectuer des travaux sur les installations électriques conformément aux prescriptions locales.
- IT** Ogni tipo di intervento sugli impianti elettrici può essere eseguito esclusivamente da personale esperto che operi in conformità con le vigenti normative locali.
- EN** Work on electrical equipment may be performed only by authorized electricians according to local regulations.
- ES** Sólo el personal especializado y autorizado puede realizar los trabajos en las instalaciones eléctricas cumpliendo las prescripciones locales.
- NL** Werkzaamheden aan de elektrische installaties mogen uitsluitend door geautoriseerde vaklui volgens de plaatselijke voorschriften worden uitgevoerd.
- CS** Práce na elektrických zařízeních smíjí být prováděny jen oprávněnými odborníky v souladu s místními předpisy.
- LT** Darbus su elektros įranga, laikantis vietinių reikalavimų, leidžiama atlikti tik autorizuotiems specialistams.
- PL** Prace przy urządzeniach elektrycznych mogą być wykonywane tylko przez wykwalifikowany personel i zgodnie z miejscowymi przepisami.
- HU** Elektromos berendezéseken bármilyen munkát kizárólag arra feljogosított szakember végezhet a helyi előírásoknak megfelelően!
- RU** Работы над электрооборудованием разрешается производить только авторизованным на это специалистам, в соответствии с местными правилами.
- BG** Работите над електрическите уреди могат да бъдат изпълнени само от авторизираните специалисти, според локалните предписания.

Montagesituation
 Situation de montage
 Situazione di montaggio
 Assembly situation

Condiciones de montaje
 Montagesituatie
 Situace při montáži
 Montavimo padėtis

Sytuacja montażowa
 Szerelési helyzet
 Расположение компонентов при монтаже
 Монтажна ситуация



| Art-Nr. | Größe mm (BxH) | A | B | C | D | E |
|--------------------|----------------|-----|------|-----|-----|-----|
| 44720.1 44720.5 | 450 x 850 | 105 | 160 | 185 | 150 | 310 |
| 44720.2 44720.6 | 450 x 850 | 125 | 120 | 75 | 150 | 310 |
| 44721.1 44721.5 | 550 x 850 | 120 | 230 | 185 | 250 | 310 |
| 44721.2 44721.6 | 550 x 850 | 135 | 200 | 75 | 250 | 310 |
| 44722.1 44722.5 | 600 x 850 | 130 | 260 | 185 | 300 | 310 |
| 44722.2 44722.6 | 600 x 850 | 135 | 250 | 75 | 300 | 310 |
| 44723.1 44723.5 | 800 x 620 | 130 | 460 | 185 | 250 | 250 |
| 44723.2 44723.6 | 800 x 620 | 220 | 280 | 75 | 400 | 250 |
| 44724.1 44724.5 | 900 x 620 | 140 | 540 | 185 | 330 | 250 |
| 44724.2 44724.6 | 900 x 620 | 240 | 340 | 75 | 500 | 250 |
| 44725.1 44725.5 | 1000 x 620 | 155 | 610 | 185 | 360 | 250 |
| 44725.2 44725.6 | 1000 x 620 | 250 | 420 | 75 | 600 | 250 |
| 44726.1 44726.5 | 1200 x 620 | 175 | 770 | 185 | 460 | 250 |
| 44726.2 44726.6 | 1200 x 620 | 300 | 520 | 75 | 700 | 250 |
| 44727.1 44727.5 | 1300 x 620 | 190 | 840 | 185 | 470 | 250 |
| 44727.2 44727.6 | 1300 x 620 | 300 | 620 | 75 | 800 | 250 |
| 44728.1 44728.5 | 1500 x 620 | 215 | 990 | 185 | 600 | 250 |
| 44728.2 44728.8 | 1500 x 620 | 300 | 820 | 185 | 400 | 250 |
| 44729.1 44729.5 | 1800 x 620 | 250 | 1220 | 185 | 750 | 250 |
| 44729.2 44729.8 | 1800 x 620 | 360 | 1000 | 185 | 450 | 250 |

Lieferumfang
Contenu du colis
Distinta dei pezzi
Parts list

Alcance del suministro
Toebehoren
Rozsah dodávky
Dalių sąrašas

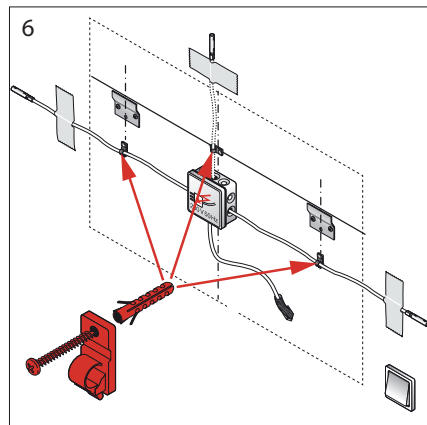
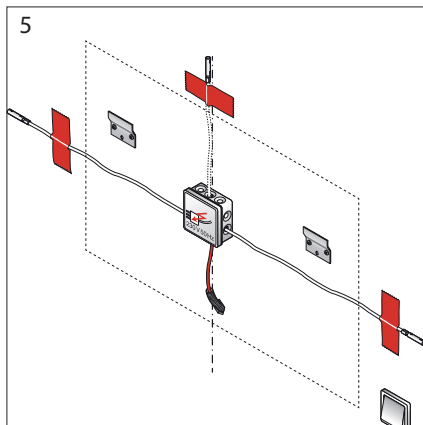
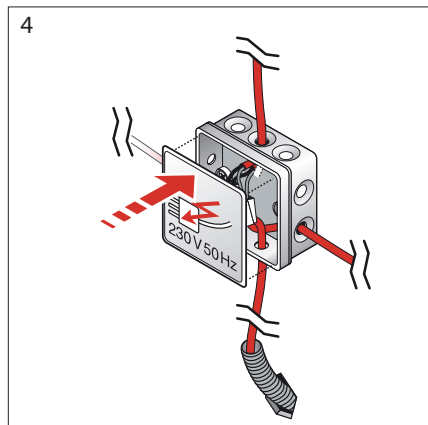
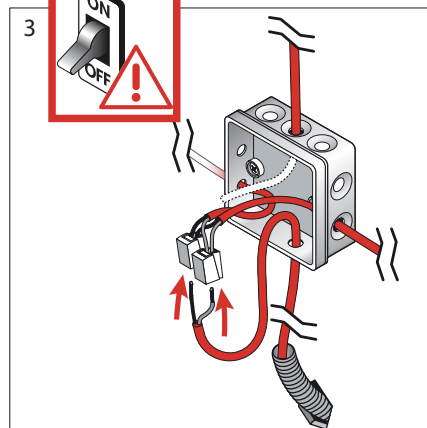
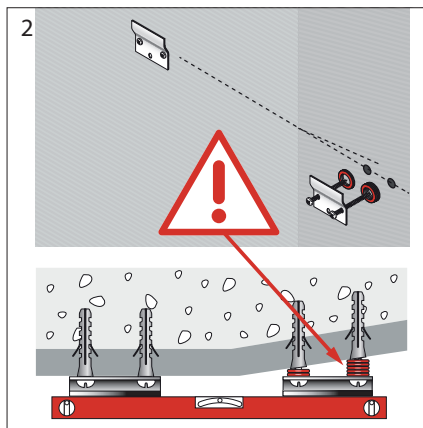
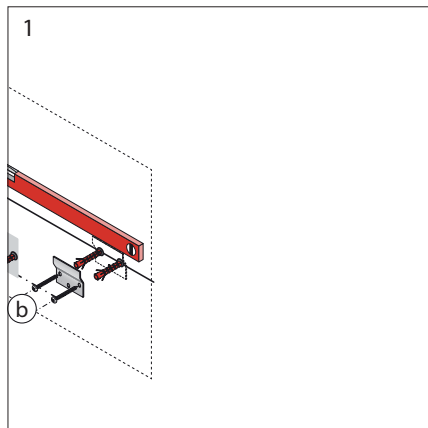
Zakres dostawy
Szállítás terjedeleme
Комплектація
Списък на детайлите

| Art-Nr. | A | B | C | D |
|--------------------|--|--|--|--------------------|
| 44720.1 44720.5 | 4.9370.3.996.000.1 (T5/8W) 4.9370.3.996.000.1 (T5/8W) | | 4.9371.0.996.000.1 4.9372.0.996.000.1 | 4.9361.2.996.000.1 |
| 44720.2 44720.6 | | 4.9370.2.996.000.1 (T5/14W-L) 4.9370.2.996.000.1 (T5/14W-L) | 4.9371.1.996.000.1 4.9372.1.996.000.1 | |
| 44721.1 44721.5 | 4.9370.3.996.000.1 (T5/8W) 4.9370.3.996.000.1 (T5/8W) | | 4.9371.0.996.000.1 4.9372.0.996.000.1 | 4.9361.2.996.000.1 |
| 44721.2 44721.6 | | 4.9370.2.996.000.1 (T5/14W-L) 4.9370.2.996.000.1 (T5/14W-L) | 4.9371.2.996.000.1 4.9372.2.996.000.1 | |
| 44722.1 44722.5 | 4.9370.4.996.000.1 (T5/13W) 4.9370.4.996.000.1 (T5/13W) | | 4.9371.0.996.000.1 4.9372.0.996.000.1 | 4.9361.2.996.000.1 |
| 44722.2 44722.6 | | 4.9370.2.996.000.1 (T5/14W-L) 4.9370.2.996.000.1 (T5/14W-L) | 4.9371.2.996.000.1 4.9372.2.996.000.1 | |
| 44723.1 44723.5 | 4.9370.1.996.000.1 (T5/14W-K) 4.9370.1.996.000.1 (T5/14W-K) | | 4.9371.3.996.000.1 4.9372.3.996.000.1 | 4.9361.1.996.000.1 |
| 44723.2 44723.6 | | 4.9370.1.996.000.1 (T5/14W-K) 4.9370.1.996.000.1 (T5/14W-K) | 4.9371.4.996.000.1 4.9372.4.996.000.1 | |
| 44724.1 44724.5 | 4.9370.1.996.000.1 (T5/14W-K) 4.9370.1.996.000.1 (T5/14W-K) | | 4.9371.5.996.000.1 4.9372.5.996.000.1 | 4.9361.1.996.000.1 |
| 44724.2 44724.6 | | 4.9370.1.996.000.1 (T5/14W-K) 4.9370.1.996.000.1 (T5/14W-K) | 4.9371.5.996.000.1 4.9372.5.996.000.1 | |
| 44725.1 44725.5 | 4.9370.5.996.000.1 (T5/21W) 4.9370.5.996.000.1 (T5/21W) | | 4.9371.3.996.000.1 4.9372.3.996.000.1 | 4.9361.1.996.000.1 |
| 44725.2 44725.6 | | 4.9370.1.996.000.1 (T5/14W-K) 4.9370.1.996.000.1 (T5/14W-K) | 4.9371.5.996.000.1 4.9372.5.996.000.1 | |
| 44726.1 44726.5 | 4.9370.5.996.000.1 (T5/21W) 4.9370.5.996.000.1 (T5/21W) | | 4.9371.3.996.000.1 4.9372.3.996.000.1 | 4.9361.1.996.000.1 |
| 44726.2 44726.6 | | 4.9370.1.996.000.1 (T5/14W-K) 4.9370.1.996.000.1 (T5/14W-K) | 4.9371.6.996.000.1 4.9372.6.996.000.1 | |
| 44727.1 44727.5 | 4.9370.6.996.000.1 T5/28W 4.9370.6.996.000.1 T5/28W | | 4.9371.3.996.000.1 4.9372.3.996.000.1 | 4.9361.1.996.000.1 |
| 44727.2 44727.6 | | 4.9370.1.996.000.1 (T5/14W-K) 4.9370.1.996.000.1 (T5/14W-K) | 4.9371.6.996.000.1 4.9372.6.996.000.1 | |
| 44728.1 44728.5 | 4.9370.6.996.000.1 T5/28W 4.9370.6.996.000.1 T5/28W | | 4.9371.3.996.000.1 4.9372.3.996.000.1 | 4.9361.1.996.000.1 |
| 44728.4 44728.8 | 4.9370.6.996.000.1 T5/28W 4.9370.6.996.000.1 T5/28W | 4.9370.1.996.000.1 (T5/14W-K) 4.9370.1.996.000.1 (T5/14W-K) | 4.9371.7.996.000.1 4.9372.7.996.000.1 | |
| 44729.1 44729.5 | 4.9370.6.996.000.1 T5/28W 4.9370.6.996.000.1 T5/28W | | 4.9371.3.996.000.1 4.9372.3.996.000.1 | 4.9361.1.996.000.1 |
| 44729.4 44729.8 | 4.9370.6.996.000.1 T5/28W 4.9370.6.996.000.1 T5/28W | 4.9370.1.996.000.1 (T5/14W-K) 4.9370.1.996.000.1 (T5/14W-K) | 4.9371.8.996.000.1 4.9372.8.996.000.1 | |

Montageablauf
Exécution du montage
Esecuzione del montaggio
Assembly procedure

Proceso de montaje
Montageverloop
Průběh montáže
Montavimo tvarka Odplyw

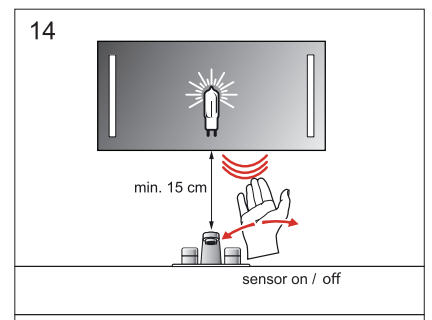
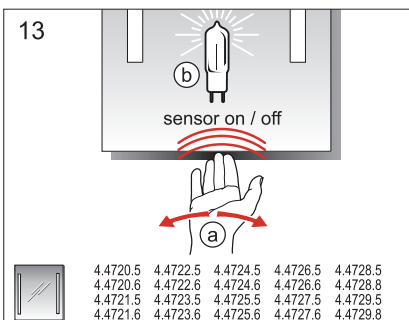
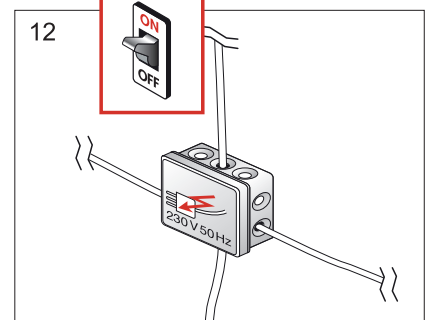
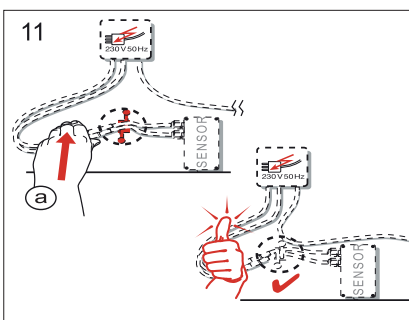
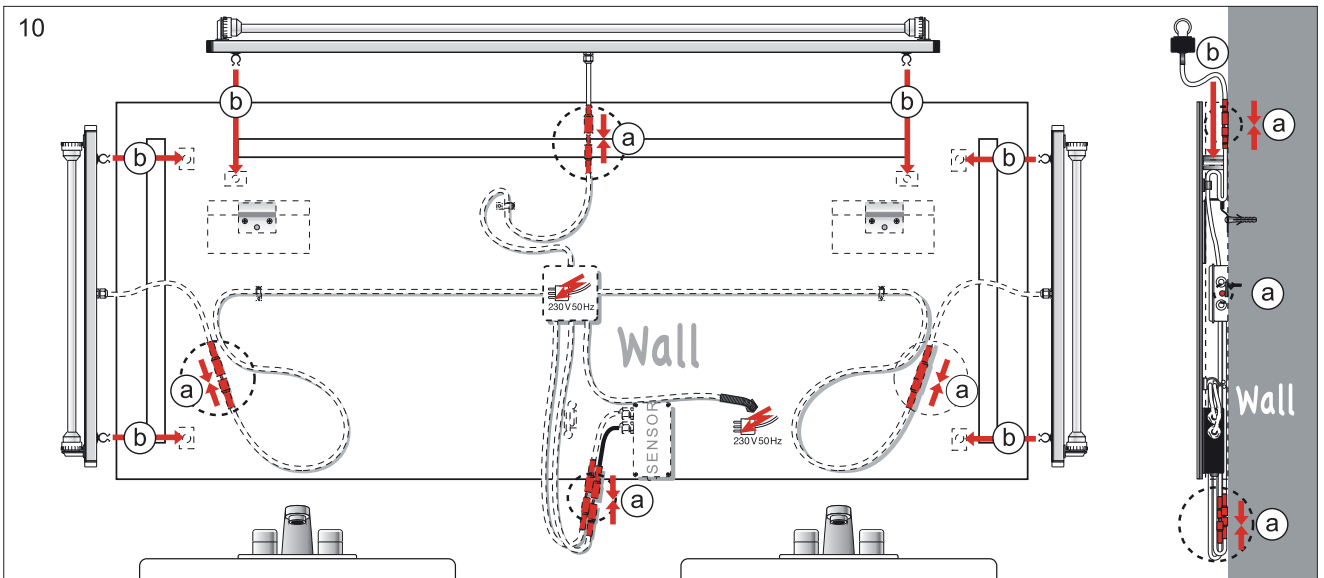
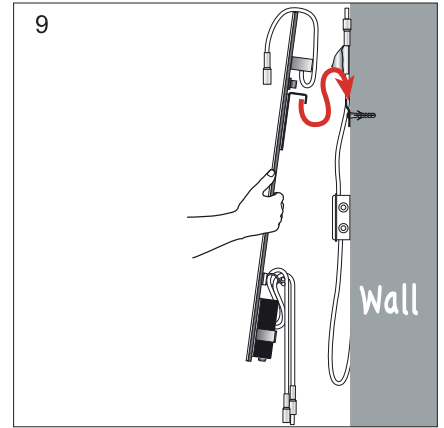
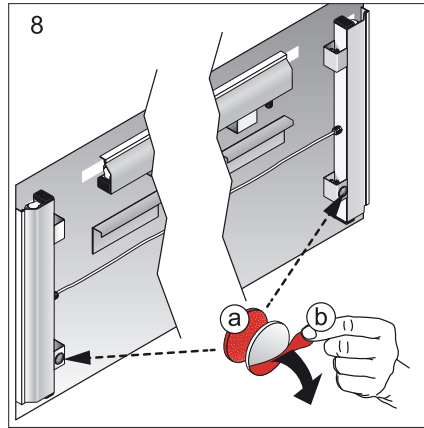
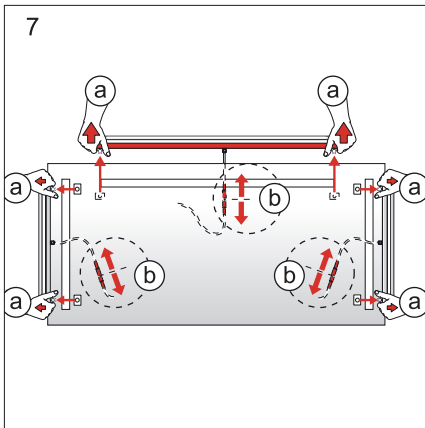
Odplyw montażowy
A szerelés menete
Последовательность монтажа
Протичане на монтажа



Montageablauf
 Exécution du montage
 Esecuzione del montaggio
 Assembly procedure

Proceso de montaje
 Montageverloop
 Průběh montáže
 Montavimo tvarka

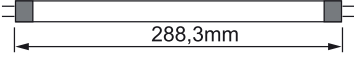
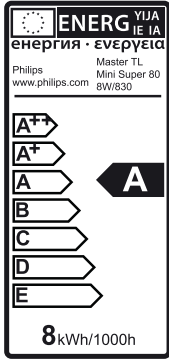
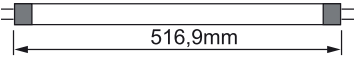
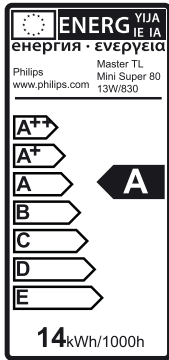
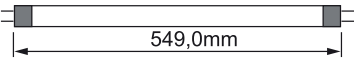
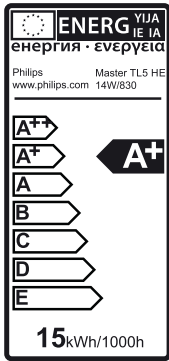
Odplyw montażowy
 A szerelés menete
 Последовательность монтажа
 Протичане на монтажа



LAUFEN

CASE

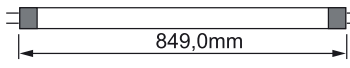
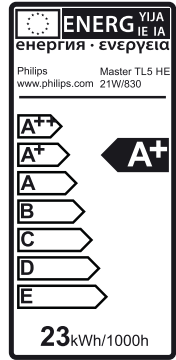


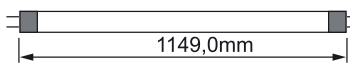
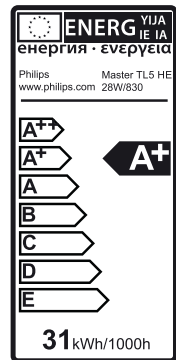
| | | |
|----------------|--|---|
| <p>8 Watt</p> | <p>4.4720.1 4.4720.5 4.4721.1 4.4721.5</p> | <p>Philips Master TL Mini Super 80 8W/830</p> <p>T5 - 16mm - G5 8 Watt 8 kWh/1000h 3000 K Lumen (25°): 470 Ra: 85 10000h Hg: 3,0mg</p>  <p>www.philips.com/lighting</p>  |
| <p>13 Watt</p> | <p>4.4722.1 4.4722.5</p> | <p>Philips Master TL Mini Super 80 13W/830</p> <p>T5 - 16mm - G5 13 Watt 14 kWh/1000h 3000 K Lumen (25°): 1000 Ra: 85 8000h Hg: 4,4mg</p>  <p>www.philips.com/lighting</p>  |
| <p>14 Watt</p> | <p>4.4720.2 4.4724.1 4.4720.6 4.4724.5 4.4721.2 4.4724.2 4.4721.6 4.4724.6 4.4722.2 4.4725.2 4.4722.6 4.4725.6 4.4723.1 4.4726.2 4.4723.5 4.4726.6 4.4723.2 4.4727.2 4.4723.6 4.4727.6</p> | <p>Philips Master TL5 HE 14W/830</p> <p>T5 - 16mm - G5 14 Watt 15 kWh/1000h 3000 K Lumen (25°): 1250 Ra: 85 24000h Hg: 1,4mg</p>  <p>www.philips.com/lighting</p>  |

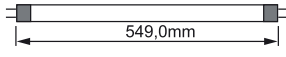
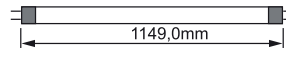
LAUFEN

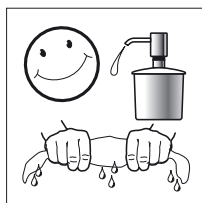
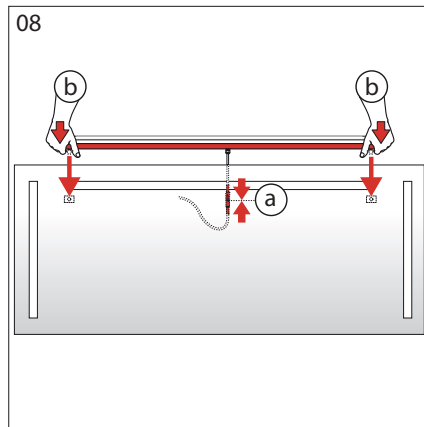
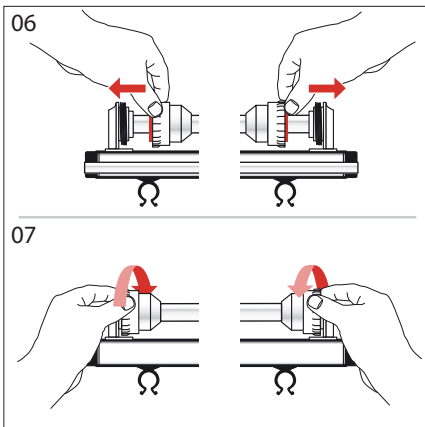
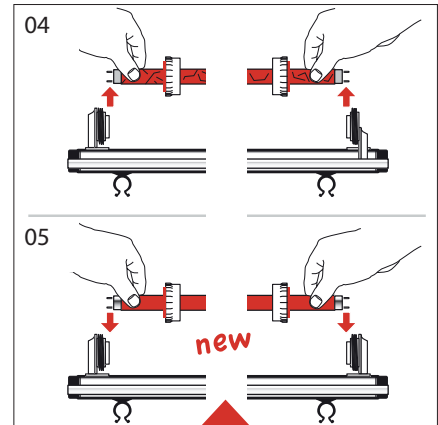
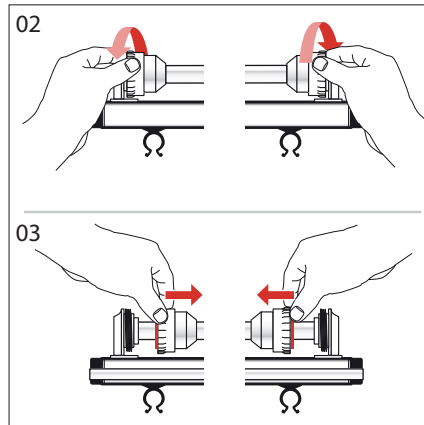
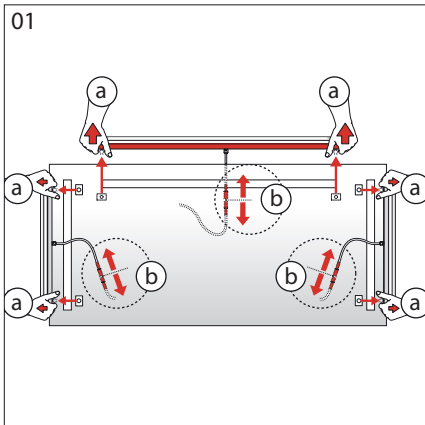
CASE





| | | | |
|---------|--|--|---|
| 21 Watt | <p>4.4725.1 4.4725.5 4.4726.1 4.4726.5</p> | <p>Philips Master TL5 HE 21W/830</p> <p>T5 - 16mm - G5 21 Watt 23 kWh/1000h 3000 K Lumen (25°): 1850 Ra: 85 24000h Hg: 1,4mg</p>  <p>www.philips.com/lighting</p> |  |
|---------|--|--|---|

| | | | |
|---------|--|--|---|
| 28 Watt | <p>4.4727.1 4.4727.5 4.4728.1 4.4728.5 4.4729.1 4.4729.5</p> | <p>Philips Master TL5 HE 28W/830</p> <p>T5 - 16mm - G5 28 Watt 31 kWh/1000h 3000 K Lumen (25°): 2625 Ra: 85 24000h Hg: 1,4mg</p>  <p>www.philips.com/lighting</p> |  |
|---------|--|--|---|

| | | | |
|----------------------|--|---|---|
| 14 Watt + 28 Watt | <p>4.4728.4 4.4728.8 4.4729.4 4.4729.8</p> | <p>Philips Master TL5 HE 14W/830</p> <p>T5 - 16mm - G5 14 Watt 15 kWh/1000h 3000 K Lumen (25°): 1250 Ra: 85 24000h Hg: 1,4mg</p>  <p>www.philips.com/lighting</p> | <p>Philips Master TL5 HE 28W/830</p> <p>T5 - 16mm - G5 28 Watt 31 kWh/1000h 3000 K Lumen (25°): 2625 Ra: 85 24000h Hg: 1,4mg</p>  <p>www.philips.com/lighting</p> |
|----------------------|--|---|---|



| Art.-Nr. | |
|---|---|
|  |  |
| 4.4720.1 | T5 / 8W / 830 |
| 4.4720.5 | T5 / 8W / 830 |
| 4.4720.2 | T5 / 14W / 830 |
| 4.4720.6 | T5 / 14W / 830 |
| 4.4721.1 | T5 / 8W / 830 |
| 4.4721.5 | T5 / 8W / 830 |
| 4.4721.2 | T5 / 14W / 830 |
| 4.4721.6 | T5 / 14W / 830 |
| 4.4722.1 | T5 / 13W / 830 |
| 4.4722.5 | T5 / 13W / 830 |
| 4.4722.2 | T5 / 14W / 830 |
| 4.4722.6 | T5 / 14W / 830 |
| 4.4723.1 | T5 / 14W / 830 |
| 4.4723.5 | T5 / 14W / 830 |
| 4.4723.2 | T5 / 14W / 830 |
| 4.4723.6 | T5 / 14W / 830 |
| 4.4724.1 | T5 / 14W / 830 |
| 4.4724.5 | T5 / 14W / 830 |
| 4.4724.2 | T5 / 14W / 830 |
| 4.4724.6 | T5 / 14W / 830 |
| 4.4725.1 | T5 / 21W / 830 |
| 4.4725.5 | T5 / 21W / 830 |
| 4.4725.2 | T5 / 14W / 830 |
| 4.4725.6 | T5 / 14W / 830 |
| 4.4726.1 | T5 / 21W / 830 |
| 4.4726.5 | T5 / 21W / 830 |
| 4.4726.2 | T5 / 14W / 830 |
| 4.4726.6 | T5 / 14W / 830 |
| 4.4727.1 | T5 / 28W / 830 |
| 4.4727.5 | T5 / 28W / 830 |
| 4.4727.2 | T5 / 14W / 830 |
| 4.4727.6 | T5 / 14W / 830 |
| 4.4728.1 | T5 / 28W / 830 |
| 4.4728.5 | T5 / 28W / 830 |
| 4.4728.4 | T5 / 28 W / 14 W / 830 |
| 4.4728.8 | T5 / 28 W / 14 W / 830 |
| 4.4729.1 | T5 / 28W / 830 |
| 4.4729.5 | T5 / 28W / 830 |
| 4.4729.4 | T5 / 28 W / 14 W / 830 |
| 4.4729.8 | T5 / 28 W / 14 W / 830 |

LAUFEN

Laufen Bathrooms AG
Wahlenstrasse 46
CH-4242 Laufen, Switzerland
www.laufen.com